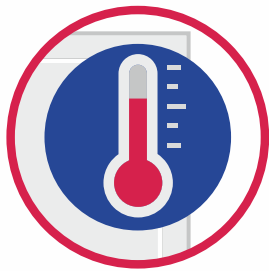


KAPELLE



DOOR FACTORY

2020

KAPPELLI DOOR SERIES



WARM



QUIET

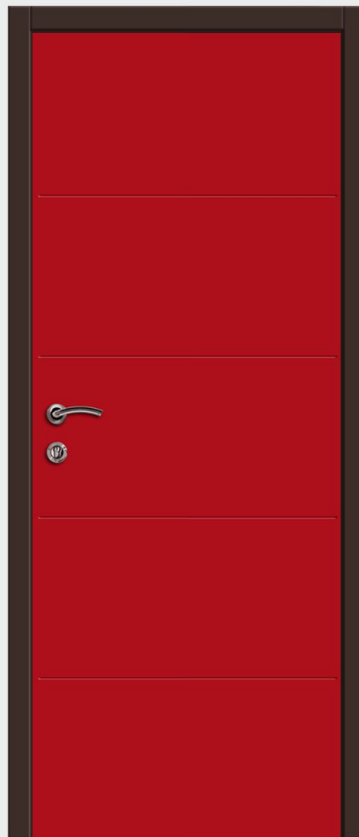


DRY

KAPPELLI classic



KAPPELLI multicolor



KAPPELLI eco



KAPPELLI connect



KAPPELLI ecoline



KAPPELLI противопожарная (fireproof)





The KAPELLI Doors Factory was founded on the production and technical base of the INTECHPLAST factory, a leader in the production of shaped PVC moldings.



Unique experience in extrusion manufacturing
Modern technologies
Use of high quality raw materials



STRATEGIC COMPONENTS OF SUCCESS

THE GENERATING CAPACITY OF THE ENTERPRISE ALLOWS PRODUCING 30,000 DOORS PER MONTH

At the factory, all KAPELLI door components are manufactured: PVC sheets, door frames, platbands, finishing elements - this allows the maximum control of the entire process.

A processing system has been introduced for production wastes with their secondary use, which brings the enterprise to the level of environmentally friendly waste-free manufacture which is required in modern conditions.



What are KAPELLI doors made of?



PVC



Rice hull



Special additives



Calcium carbonate

EUROCOMPOSIT

Unique material, KAPELLI know-how

DISTINCTIVE FEATURES



WATER RESISTANCE

Due to the unique properties of **EUROCOMPOSITE** and specially developed production technology, the **KAPELLI*** doors are 100% moisture resistant, they are not deformed and retain their geometry when used in rooms with high humidity and without heating.

(*except for **KAPELLI eco** — the most economy variant)



HIGH HEAT AND SOUND INSULATION

The internal filling of the **KAPELLI** classic door leaf consists of foam polystyrene, which is a heat-insulating material. The door frame is equipped with a special sealant that ensures the maximum abutment of the leaf, with increasing sound insulation and reducing thermal conductivity.



EASY INSTALLATION

KAPELLI doors are lightweight and easy to install. When installing them, the same tool is used as when installing doors made of traditional wood materials.

In order to facilitate the installation, the KAPELLI classic leaf is supplied complete with a door frame cut at 45°. Shaping for the lock mechanism is performed.



HIGH RESISTANCE TO HOUSEHOLD CHEMICALS

All materials used for the production of **KAPELLI** doors are resistant to disinfectants and household chemicals (except for abrasive materials).



DURABILITY AND RELIABILITY IN OPERATION

Due to the light weight (e.g. the **KAPELLI classic** door leaf of 900x2000 mm weighs 14.5 kg only), the load on hinges is insignificant, the door leaf does not “hang down” even during forced service.



AESTHETIC ATTRACTIVENESS

The **KAPELLI** doors can be painted in bulk or laminated with Eco Wood Veneer imitating wood of various species. It is possible to paint the doors in any color according to the RAL system. The **KAPELLI** doors can be smooth or milled, glazed, decorated with aluminum or glass moldings.



OPTIMAL QUALITY-TO-PRICE RATIO

ATTENTION!

**KAPELLI DOORS ARE RECOMMENDED TO BE USED INSIDE THE PREMISES ONLY!
DIRECT SUNLIGHT SHOULD BE AVOIDED!**

There is a corresponding indication on the package.



DELIVERY SET

- A set of doors is delivered in the factory package.
- The **KAPELLI classic** door leaf is covered with a protective film, shaping for the lock mechanism is performed.
- The **KAPELLI classic** door leaf is supplied complete with a door frame cut at 45 degrees.
- The set package contains the following information:
 - door type (DG - Blind Door, DO - Glazed Door);
 - size;
 - model name;
 - color of products included in the set.

The combination of operational characteristics makes it possible to use the KAPELLI doors when equipping facilities:

Research Institute of Emergency Aid named after A.V. Sklifosovsky, Moscow



HOSPITALS AND MEDICAL CENTERS

Preschool No. 21, Yekaterinburg



EDUCATIONAL INSTITUTIONS

Rostov Arena Stadium
Rostov-on-Don



SPORTS FACILITIES AND FITNESS CENTERS

SKYPARK ApartHotel, Krasnaya Polyana, Sochi



HOSPITALITY FACILITIES

Business Center "Nevskaya Ratusha"
Saint Petersburg



OFFICE BUILDINGS AND RESIDENTIAL HOUSES

SEC "Grinn", Belgorod



SHOPS AND SHOPPING AND ENTERTAINMENT CENTERS

GFC "Koltsovo", Novosibirsk



INDUSTRIAL AND PUBLIC BUILDINGS

Sheremetyevo Airport, Information Center, Moscow



AIRPORTS

X5 Retail Group, Saint Petersburg



WAREHOUSE AND LOGISTICS CLUSTERS

KAPPELLI classic



Smooth white



1. Supporting frame element - moisture resistant LVL timber
2. Filler - extruded foam polystyrene
3. Edge PVC tape
4. Facing PVC sheet 1.5 mm
5. WPC timber insert under the lock mechanism
6. Extruded PVC telescopic door frame
7. Sealant

KAPPELLI classic are sandwich-type doors with the internal filling made of foam polystyrene, the frame reinforcement made of LVL and WPC timber, lined with compact PVC sheet. The door ends are covered with edge PVC tape.

COMPARATIVE CHARACTERISTICS OF DOORS MADE OF DIFFERENT MATERIALS

Structure type	Resistance to heat transfer, m ² °C/Wt	Sound insulation, dB	Water absorption, %
Standard value	not lower than 0,8	not less than 26	not more than 2
KAPPELLI classic composite doors	1,151	33,3	0,213
Wooden doors	1,058	30	20 - 80
PVC profile doors	0,821	30	-
Aluminum doors	0,802	28	-

KAPPELLI classic DOORS SIZES

Opening size, mm		Door assembly size, mm		Door leaf size, mm	
heightwise	breadthwise	heightwise	breadthwise	heightwise	breadthwise
2070-2100	700	2050	660	2000	600
	800		760		700
	900		860		800
	1000		960		900

! There are options of manufacturing doors of non-standard sizes (by height and width), reinforcement of the door leaf for using the door closer or sliding mechanism.

MONOCOLOR



Monocolor cream 9001



Monocolor gray 7035



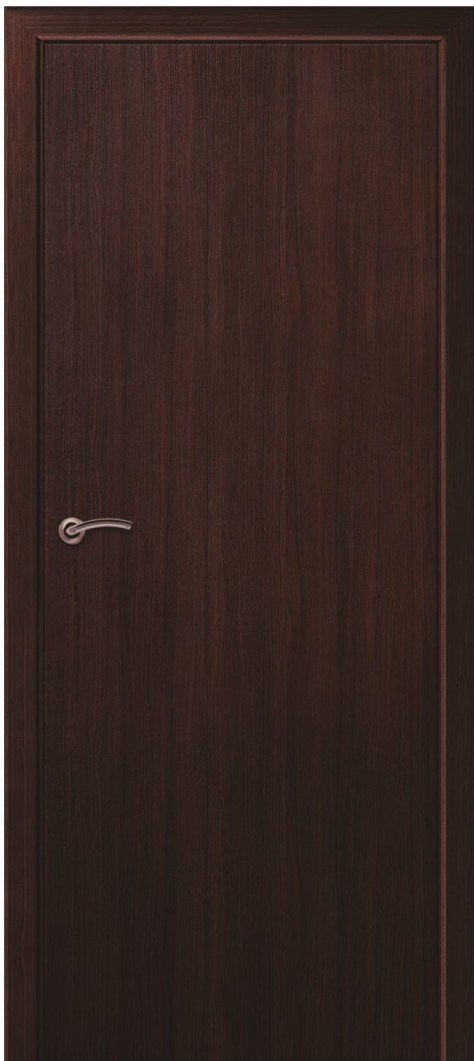
Monocolor gray 7040

Monocolor is the way of coloring of a PVC sheet in bulk with special pigments during extrusion.



The KAPELLI classic doors can be manufactured with aluminum end plates, e.g. the KAPELLI eco series (see page 10)

PVC FILM FINISHING



Wenge Oak



Milan Walnut



Italian Walnut



Bleached Oak



Titanium

3D FILM LAMINATION



Walnut



Bleached Oak



Wenge Oak



Bleached Larch

KAPELLI multicolor

KAPELLI multicolor are moisture-proof doors of KAPELLI classic series (smooth and with a surfaced pane), which are finished with a special RAL paint for PVC manufactured in Italy and Germany.

STANDARD RAL COLORS:

RAL 1018 – Yellow	
RAL 3020 – Red	
RAL 5010 – Blue	
RAL 6018 – Green	
RAL 7021 – Graphite	
RAL 8017 – Brown	

CUSTOMIZED RAL COLORS:

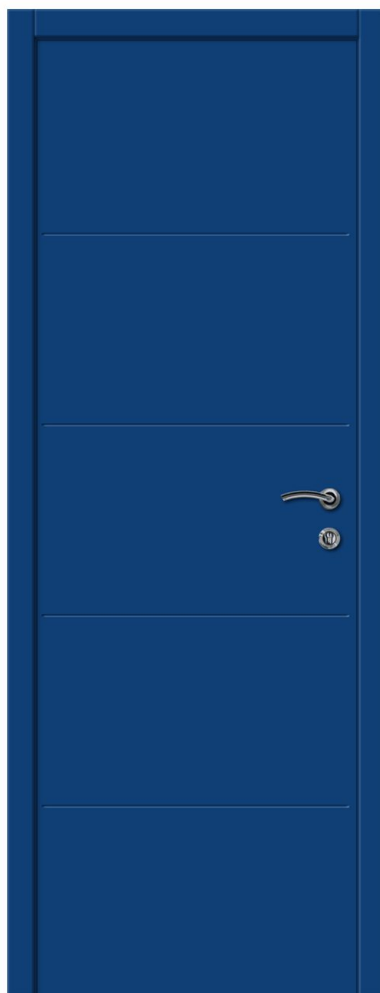


ORDERING OPTIONS:

- painting of all elements of the door block in the same color;
- painting of door leaf and moldings in different colors;



F2K Multicolor



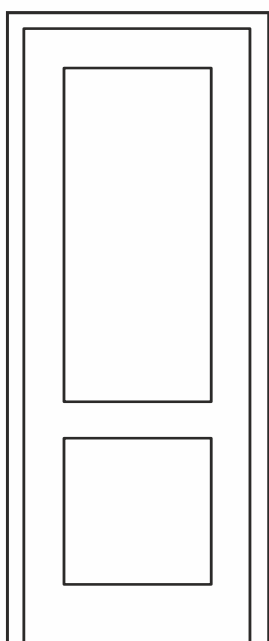
F4G Multicolor RAL5010



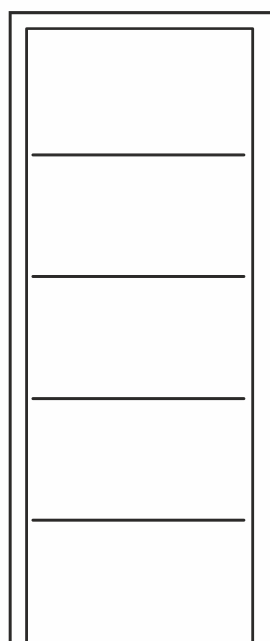
DG Multicolor RAL 3020



STANDARD PLACING OF DOOR PANES



F2K



F4G

KAPELII classic

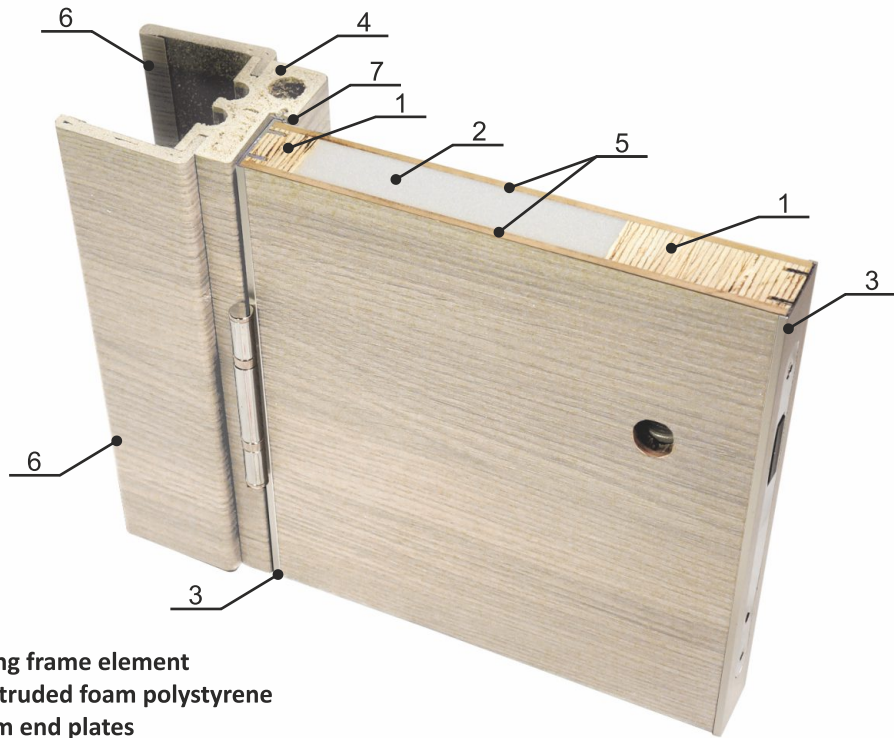
KAPELII CLASSIC WITH A SURFACED PANE
HAS A THICKNESS OF PVC SHEET OF 2.5 mm

Ability to paint the doors in any RAL color, to make a combination of colors of the door leaf and moldings. This is an additional advantage for the designer when equipping **hospitals, kindergartens, clinics, schools, car dealerships, corporate-style offices**. For any place with the necessity not only to close the doorway with a reliable, moisture-proof door with an increased level of heat and sound insulation, to observe construction quality standards, but also to bring additional aesthetics to the interior.

For individual orders, additional pane design options are available.



Дуб Неаполь
серый поперечный



1. Supporting frame element
2. Filler - extruded foam polystyrene
3. Aluminum end plates
4. WPC telescopic door frame*
5. HDF sheet 3 mm, laminated with PVC film
6. Telescopic platband
7. Sealant

* WPC is wood-polymer composite based on PVC and rice hull

KAPELLI eco are doors produced according to the KAPELLI classic technology using HDF sheet for the door leaf coverage followed by lamination with 3D PVC film.

KAPELLI ECO is not a 100% waterproof door!

An aluminum plate is installed on the vertical ends of the door leaf, the horizontal ends are covered with edge PVC tape.

WAREHOUSE PROGRAM



Naples Oak
Gray transverse



Naples Oak
Cream transverse

CUSTOMIZING PROGRAM



Light gray



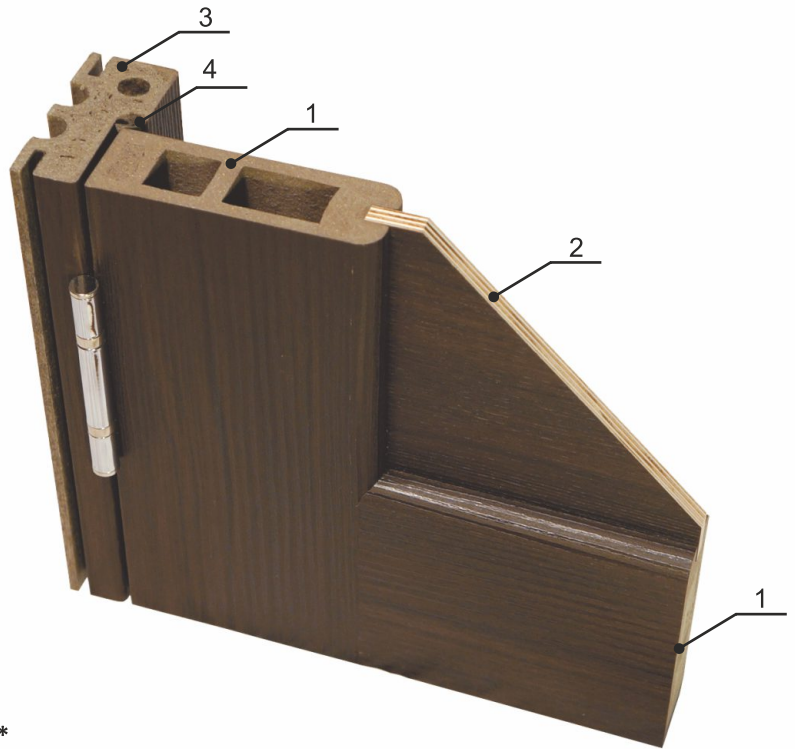
White
(PVC film, small shagreen)

The KAPELLI eco doors can be made with installed hidden hinges at the customer's request.





Wenge CO2



- 1. WPC frame*
- 2. Moisture-proof plywood pane
- 3. WPC telescopic door frame laminated with PVC film
- 4. Sealant

* WPC is wood-polymer composite based on PVC and rice hull

KAPPELLI ecoline are doors that consist of a frame and a sandwich insert covered with a compact PVC sheet of 1.5 mm on both sides, with Eco Wood Veneer finishing.



CO4 glass
Bleached Larch



CO full glazing (triplex)
Bleached Oak

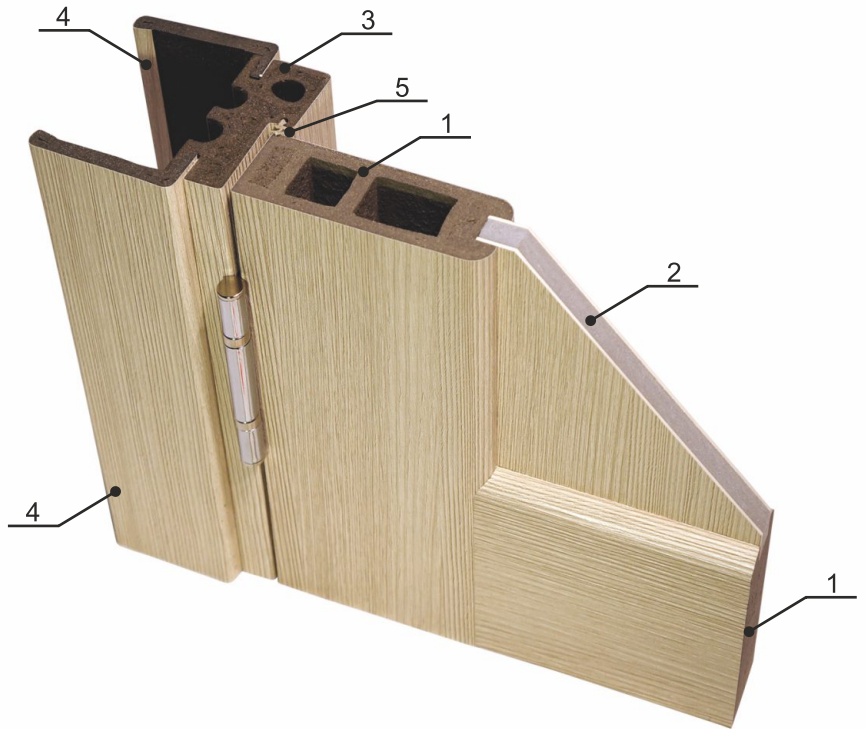


SOf5 (five panes without inserts)
Wenge Oak

**ECONOMY
VARIANT**



DG
White Larch



1. WPC frame*
2. Pane - sandwich made of foam polystyrene and PVC sheet
3. WPC telescopic door frame laminated with PVC film
4. Telescopic platband
5. Sealant

* WPC is wood-polymer composite based on PVC and rice hull

KAPELLI ecoline are doors that consist of a frame and a sandwich insert covered with a compact PVC sheet of 1.5 mm on both sides, with Eco Wood Veneer finishing.



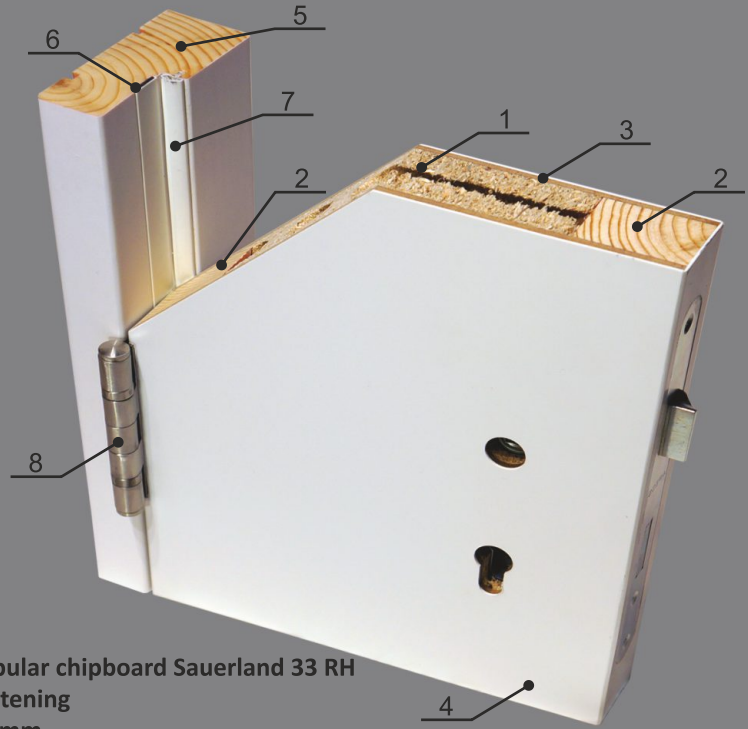
DGI
Walnut



DOI
Bleached Oak



DG
Wenge Oak



1. Fireproof tubular chipboard Sauerland 33 RH
2. Door leaf fastening
3. HDF sheet 3 mm
4. PVC sheet 1.5 mm
5. Wooden door frame
6. Thermo-sealing (self-expanding) tape
7. Cold smoke sealer
8. Häfele hinge, stainless steel

Specifications

Fire-resistance rating - EI30 according to GOST R 53307-2009

Door leaf weight - 20 kg/m² Door leaf thickness - 42 mm

Minimum size of the door block (frame): single-leaf - 1400x600 mm, double-leaf - 1400x1200mm

Maximum size of the door block (frame): single-leaf - 2400x1150mm, double-leaf - 2400x2100 mm

Opening type - hinged door (right/left)

Standard set

Door leaf type - wooden (42x92 mm) around the perimeter, laminated with PVC film or RAL-painted according to the door leaf color

Leaf - LVL timber fastening, tubular chipboard Sauerland 33 RH, HDF sheet 3 mm, PVC sheet 1.5 mm

Sealers - cold smoke sealer and heat sealing tape 15x2 mm

Lock - fireproof Apecs 1900-ZN with a striking plate

Hinges - Häfele 102x76 mm (stainless steel) 3 pcs

STANDARD DOOR BLOCKS DIMENSIONS

Name	Door block + threshold size, mm	Door leaf size, mm
DPG KAPELLI 21x7	2065x665	2000x600
DPG KAPELLI 21x8	2065x765	2000x700
DPG KAPELLI 21x9	2066x866	2000x800
DPG KAPELLI 21x10	2066x966	2000x900

Glazing: DPO KAPELLI - partial glazing (not more than 25% of the door leaf area) in a metal frame (the minimum length of inside of the frame on either side is 300 mm), fire-resistant multi-layer glass FC-30 (12 mm).



There are options of manufacturing doors of non-standard sizes (by height and width), reinforcement of the door leaf for using the door closer or sliding mechanism.

КАPELLI classic doors are available in glazed versions Glazing option



Clear glass

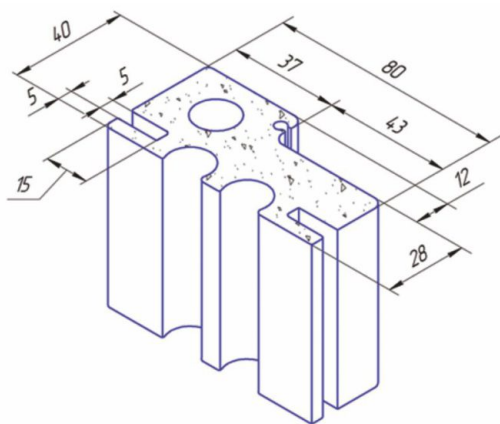
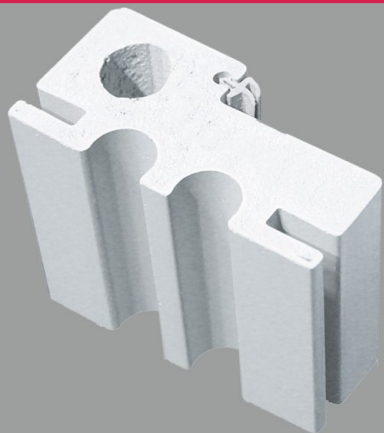
Matted glass

Reinforced glass

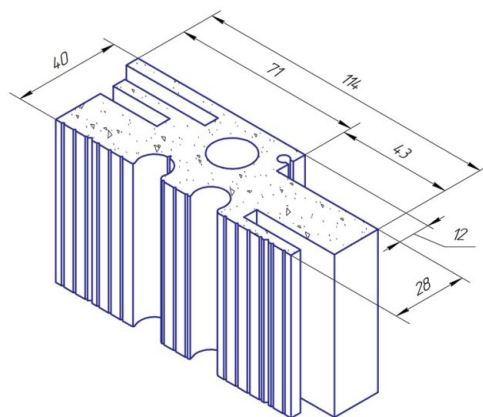
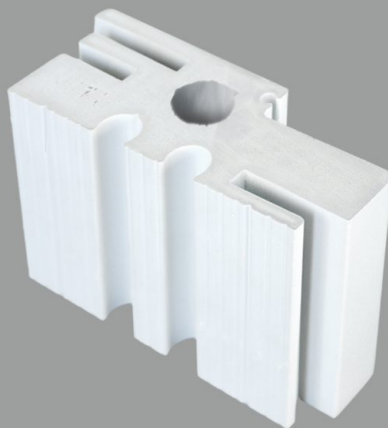
The glazing area is not more than 30% of the door leaf area

MOLDINGS PRODUCED BY EXTRUSION

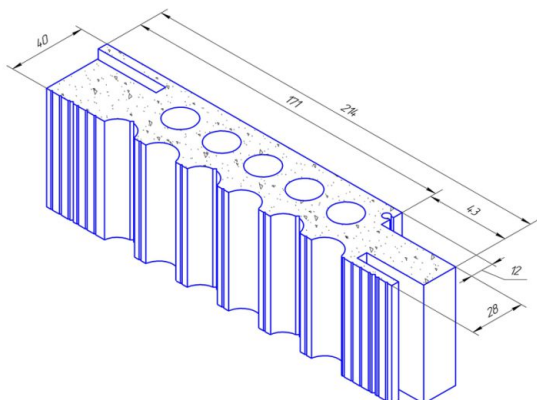
Telescopic door frame 80 mm



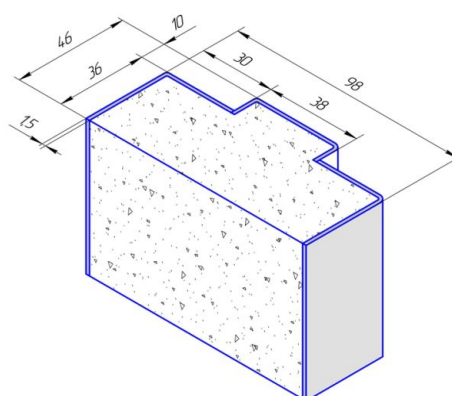
Telescopic door frame 100 mm



Telescopic door frame 200 mm



Pendulum door frame

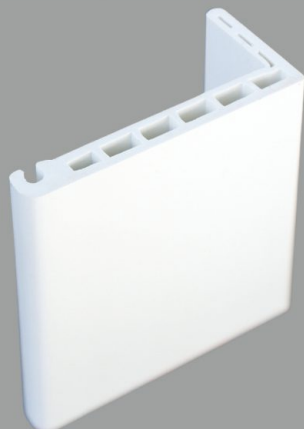


MOLDINGS PRODUCED BY EXTRUSION

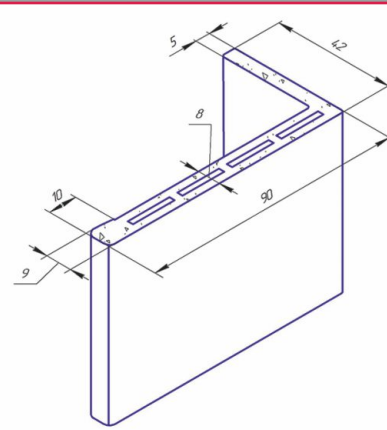
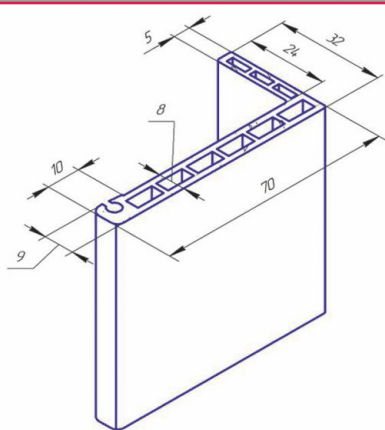
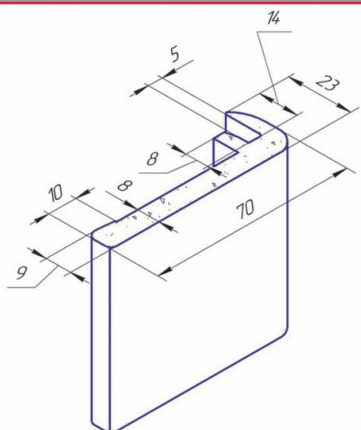
Telescopic F platband



Telescopic platband L32



Telescopic platband L42

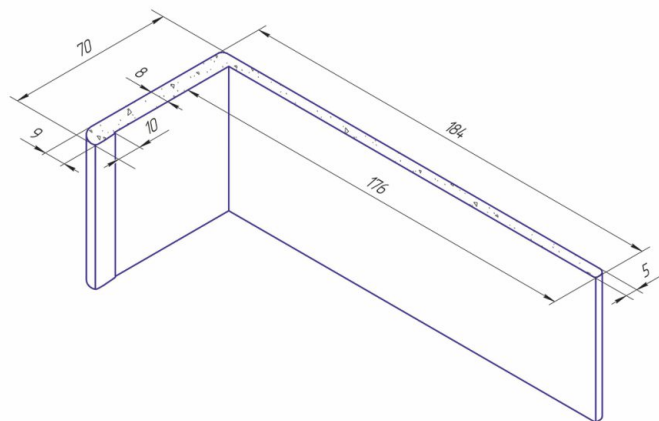
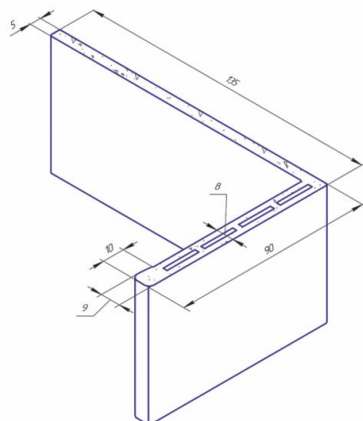
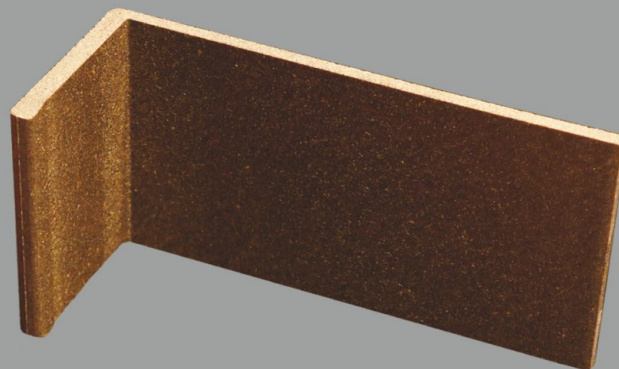


TELESCOPIC FINISHING ACCESSORIES

Telescopic finishing L135

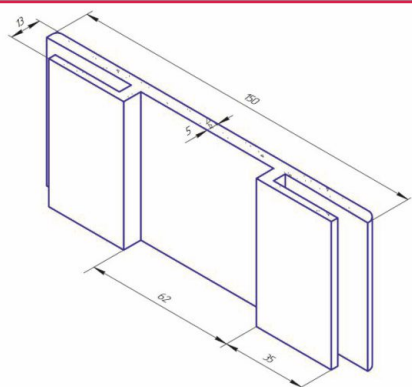


Telescopic finishing L184

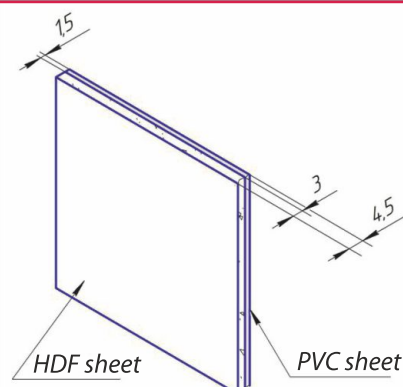


FINISHING ACCESSORIES

Finishing E150, telescopic, from two sides



Straight finishing 5 mm (installation with F platband)



ALUMINUM ACCESSORIES

Aluminum threshold



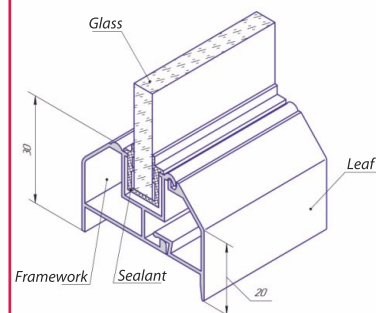
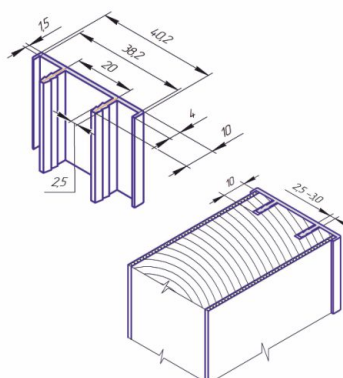
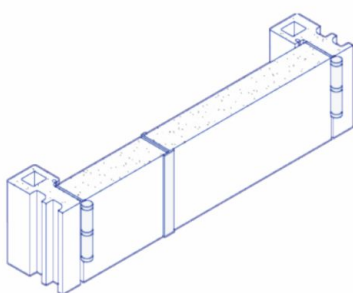
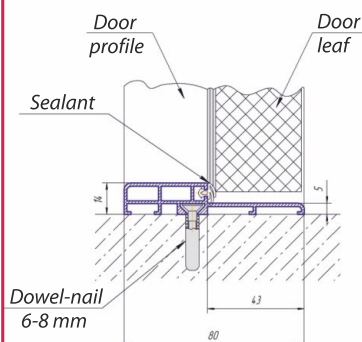
Aluminum cover fillet for installation on double-leaf doors

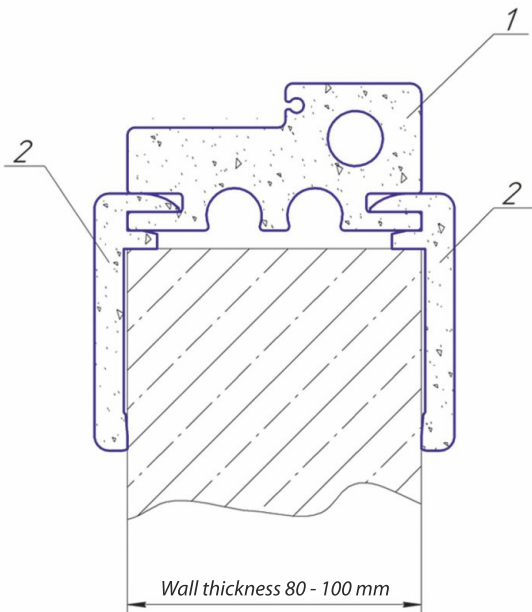


Aluminum end plate for KAPELLI classic and KAPELLI eco door leaves

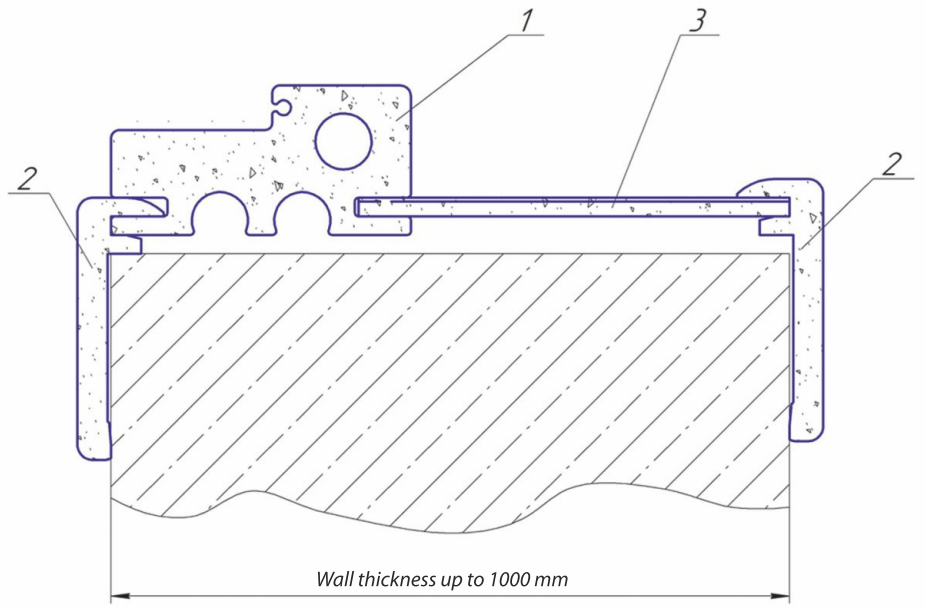


KAPELLI classic and KAPELLI eco aluminum profile for glazing

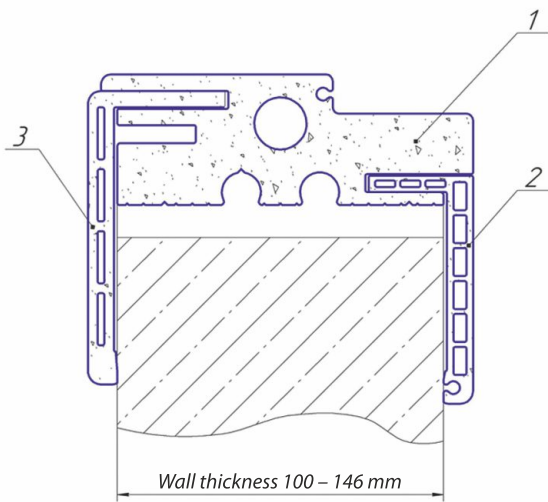




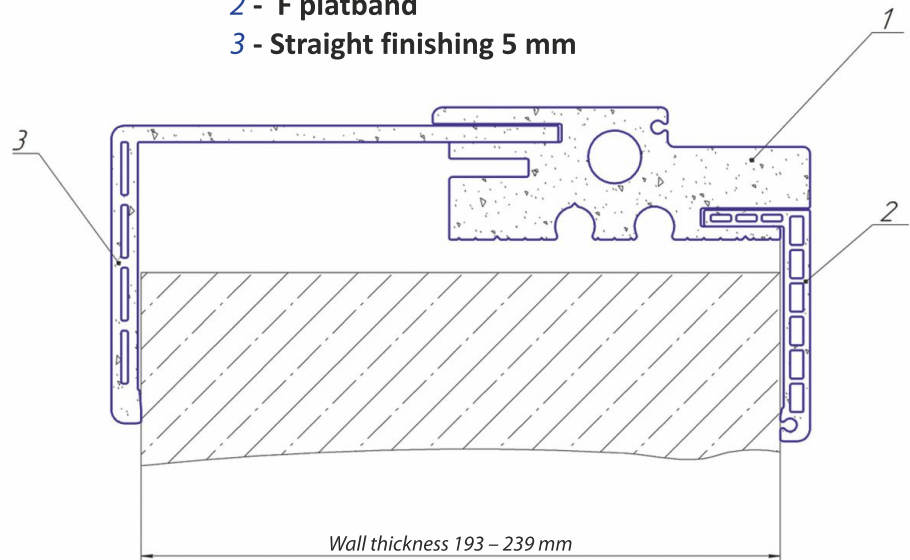
1 - Door frame 80
2 - F platband



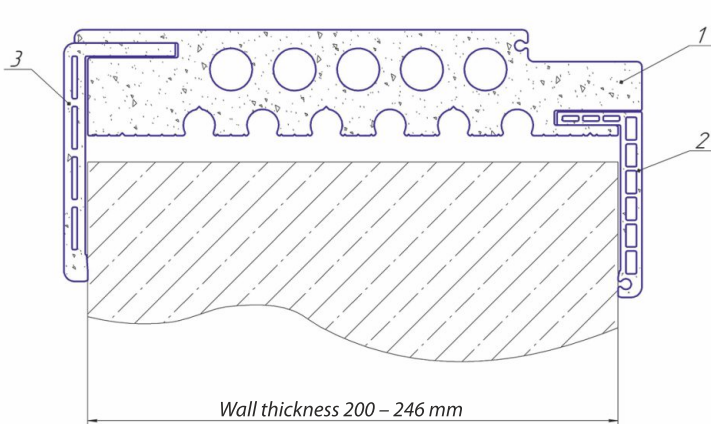
1 - Door frame 80
2 - F platband
3 - Straight finishing 5 mm



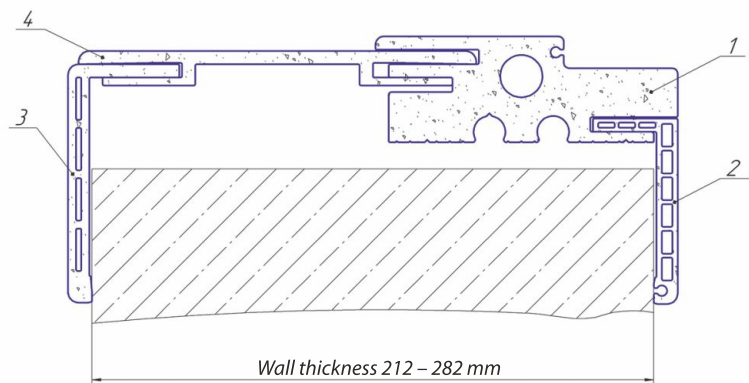
1 - Door frame 100
2 - Platband L32
3 - Platband L42



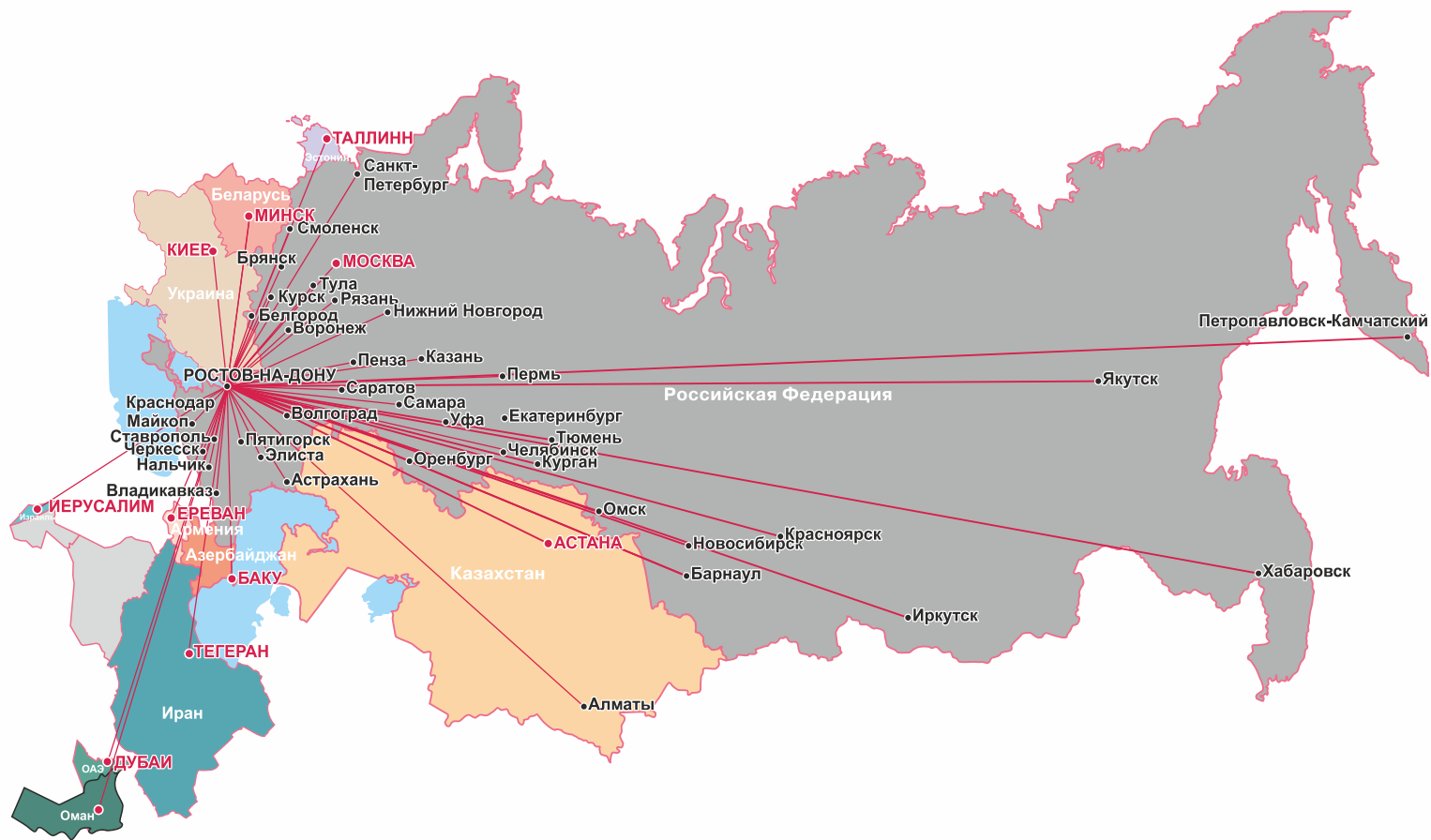
1 - Door frame 100
2 - Platband L32
3 - Finishing L135



1 - Door frame 200
2 - Platband L32
3 - Platband L42



1 - Door frame 100
2 - Platband L32
3 - Platband L42
4 - Finishing E150



DOORS FOR FACILITIES

КАРЕЛИ

ARE ACTUAL EVERYWHERE

where enhanced performance
and affordable price are needed.



344064, Russia
Rostov-on-Don
63A Vavilov St.

Phone/fax: +7 (863) 261 89 82

www.kapelli-doors.ru